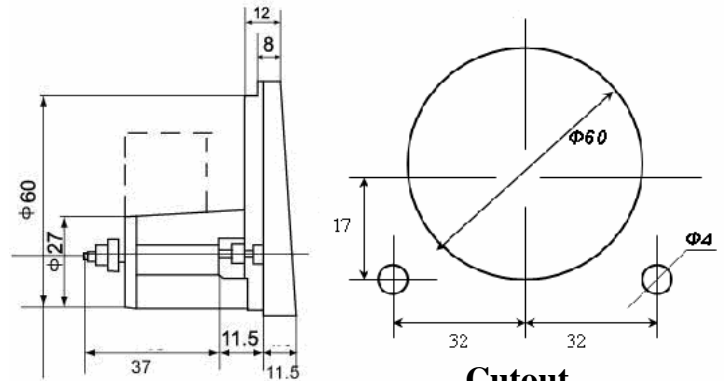
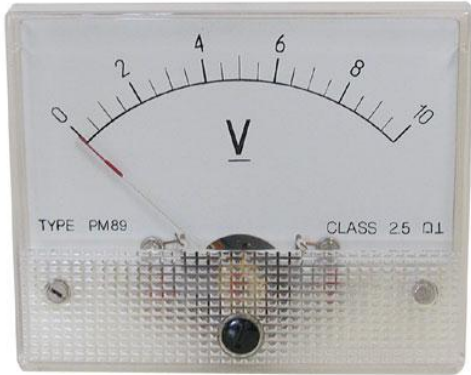
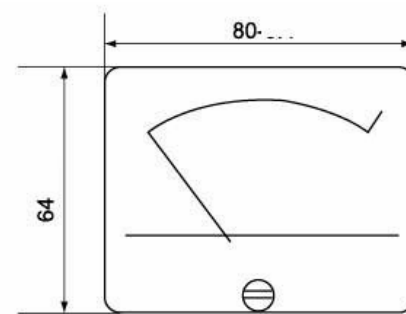


PM89 Series

2.5% Accuracy Panel Meters
Dimensions: 3.2"W x 2.5"H (80mm x 64mm)



Meter Type	Part No.	Range
DC Micro ammeter	PM89-D50UA	0-50
	PM89-D100UA	0-100
DC Milliammeter	PM89-D1MA	0 - 1
	PM89-D25MA	0 - 25
	PM89-D50MA	0 - 50
	PM89-D100MA	0 - 100
	PM89-D300MA	0 - 300
	PM89-D500MA	0 - 500
DC Ammeter	PM89-D1A	0 - 1
	PM89-D3A	0 - 3
	PM89-D5A	0 - 5
	PM89-D10A	0 - 10
	PM89-D15A	0 - 15
	PM89-D25A*	0 - 25
	PM89-D30A*	0 - 30
	PM89-D50A*	0 - 50
	PM89-D100A*	0 - 100
	PM89-D200A*	0 - 200
	DC Voltmeter	PM89-D10V
PM89-D15V		0 - 15
PM89-D30V		0 - 30
PM89-D50V		0 - 50
PM89-D100V		0 - 100
PM89-D150V		0 - 150
AC Ammeter	PM89-A1A	0 - 1
	PM89-A3A	0 - 3
	PM89-A5A	0 - 5
	PM89-A10A	0 - 10
	PM89-A15A	0 - 15
AC Voltmeter	PM89-A10V	0 - 10
	PM89-A25V	0 - 25
	PM89-A150V	0 - 150
	PM89-A300V	0 - 300



** Units shown in mm (millimeter)

Current Shunt



ST-100A, ST-200A



ST-25A, FL-30A, ST-50A

Part Number	Description	For Use
ST-25	50mV Shunt (50mV = 25A)	PM89-D25A
FL-30A	75mV Shunt (75mV = 30A)	PM89-D30A
ST- 50A	50mV Shunt (50mV = 50A)	PM89-D50A
ST-100A	50mV Shunt (50mV = 100A)	PM89-D100A
ST-200A	50mV Shunt (50mV = 200A)	PM89-D200A

* Indicates require current shunt